

# Display Arm



# 00

## Table of Contents

**01** About p.3

**02** Installation p.5

# 1. About the Display Arm

The Display Arm provides a handy way to connect additional components such as a display to your Swytch Kit.

Here are some situations where the Display Arm could be useful:

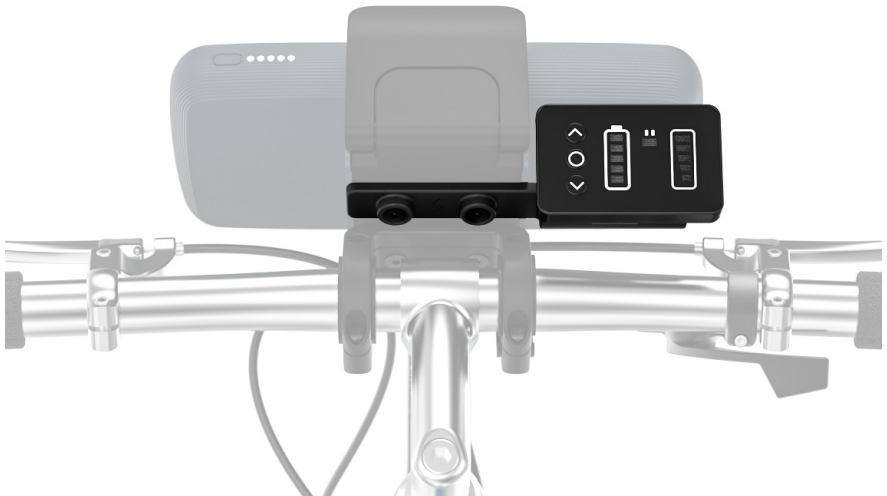
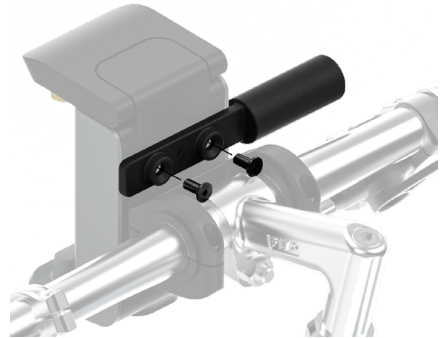
- If you own a road bike with thicker handlebars, where achieving an ideal fit for the display and throttle can be challenging.
- If the you want to attach multiple extra accessories such as a bike light, cycle computer, bell or phone mount.

**Included in this box:**

- Display Arm
- 2 x M5x12mm countersunk head bolts

**You will need:**

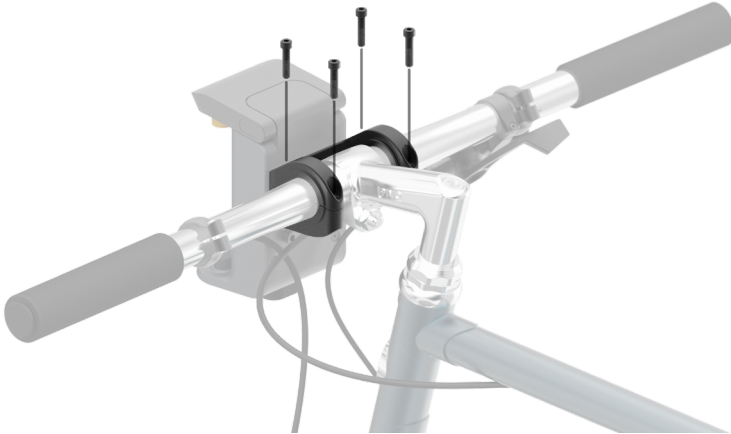
- 3mm Allen key



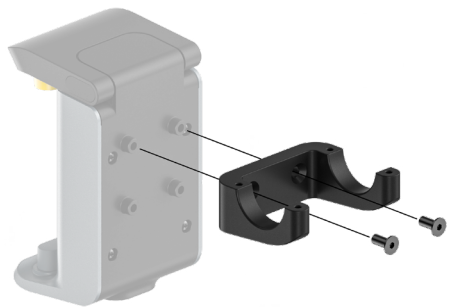
## 2. Installation

### 1. Lower your bracket on your mount

- 1.1 If you have already installed the Swytch kit on your handlebars, remove the four bolts in the top of the bracket and remove the mount from your bike.



- 1.2 To lower your bracket, first use the 3mm Allen key to remove the the two M5 bolts and lower half of the bracket piece.



## Installation

- 1.3 Afterwards, reposition the lower bracket piece, aligning it with the lower two screw bosses on the back of the mount.
- 1.4 Reinsert and tighten the same two bolts that were just removed to securely fasten the bracket in place.

### Note

Tighten to 2-3 Nm of torque.  
Visit [swytchbike.com/manual/3nm/](http://swytchbike.com/manual/3nm/) for support.

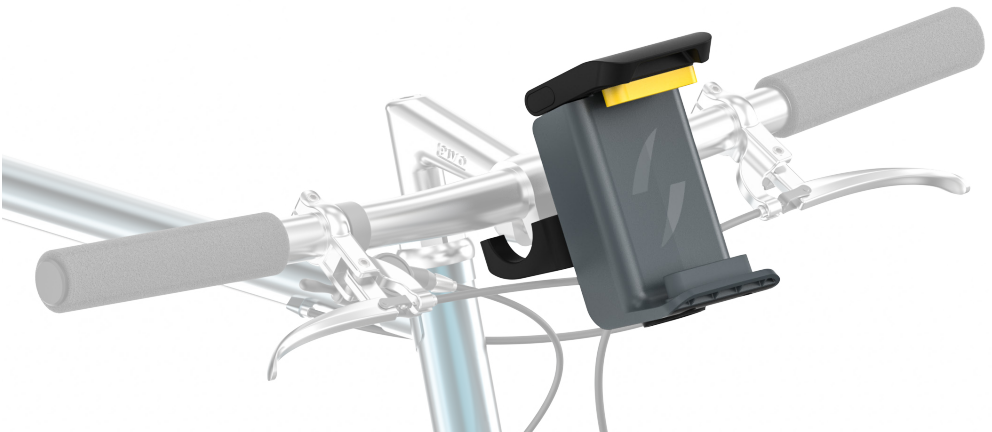


## 2. Place the mount under the handlebar

- 2.1 Position the mount on the centre of the handlebars, parallel with the floor.



Route any brake or gear cables behind the mount. Check your brakes still work as normal.



### 3. Find the correct spacers size (if necessary)

3.1 Without a spacer, the bracket has a 31.8mm diameter.

If the bracket is loose on the handlebar, find a set of spacers to get a tight fit. There should be a small gap between the two spacers, as shown in the diagram below.

Spacer Options:



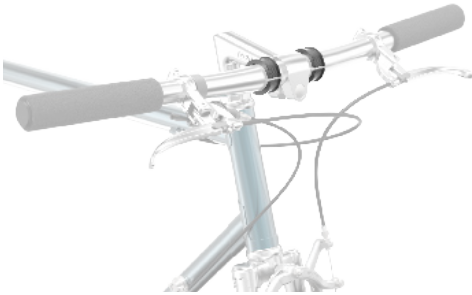
●●22.2mm



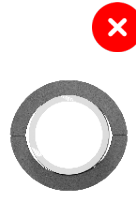
●●●25.4mm



●●●●26mm



Too tight



Too loose

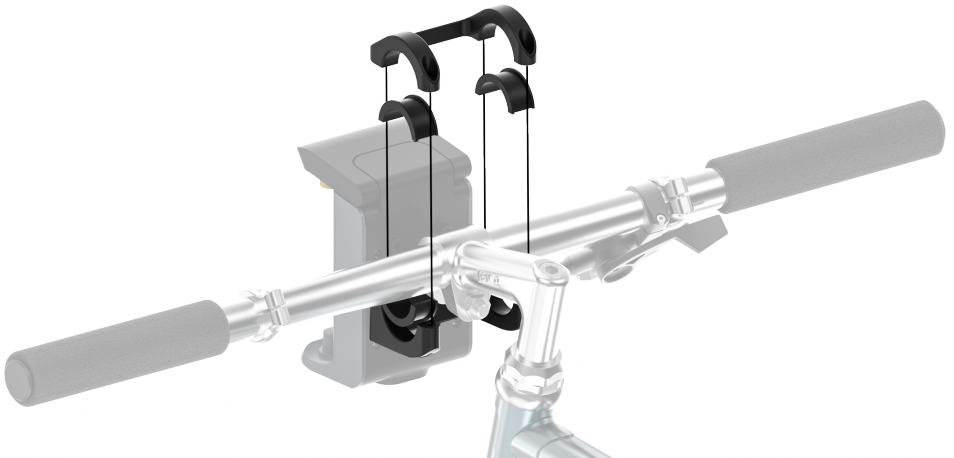


Perfect fit

Small gap

### 4. Assemble the bracket

4.1 Position together the lower and upper bracket halves, placing the spacers inside if they are required.

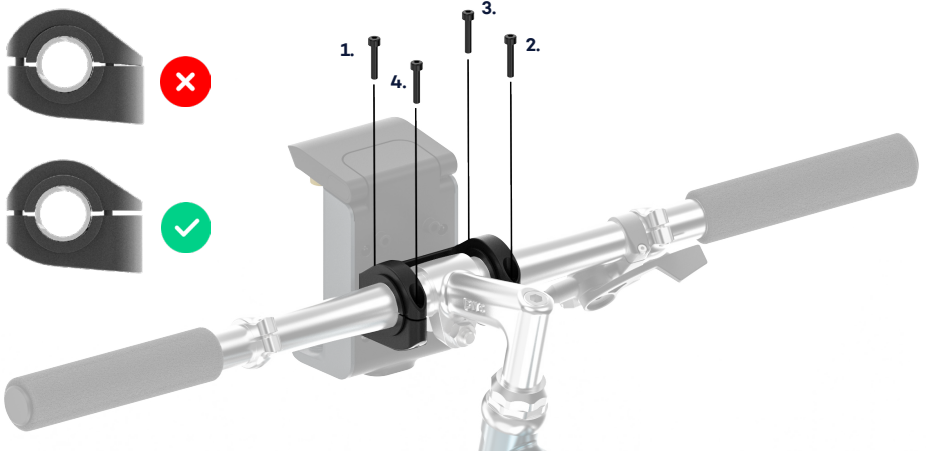


## 5. Screw the assembly together

- 5.1 Screw the two bracket halves together using a 3mm Allen key. Make sure both halves are evenly tightened as shown below.

**Note**

Tighten to 2-3 Nm of torque. Visit [swytchbike.com/manual/3nm/](http://swytchbike.com/manual/3nm/) for support.

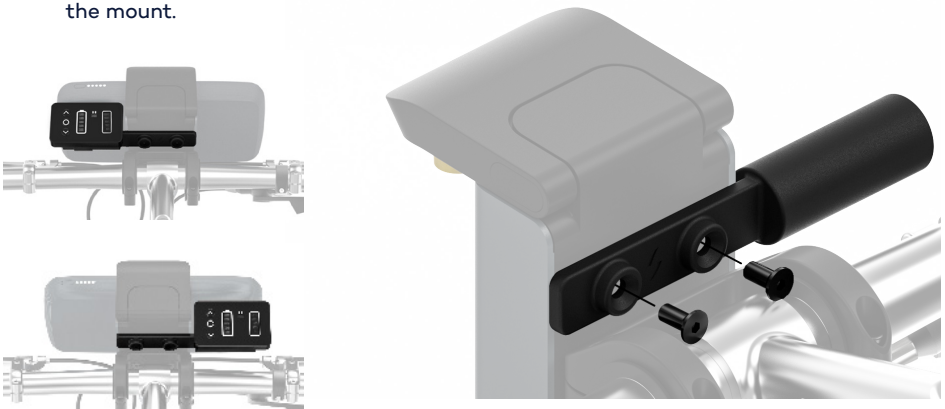


## 6. Secure the Display Arm to the top screw bosses

- 6.1 Fit the Display Arm on either side of the mount's top screw bosses.
- 6.2 Using the 3mm Allen key, screw the two M5x12mm counter sunk head bolts to secure the Display Arm to the mount.

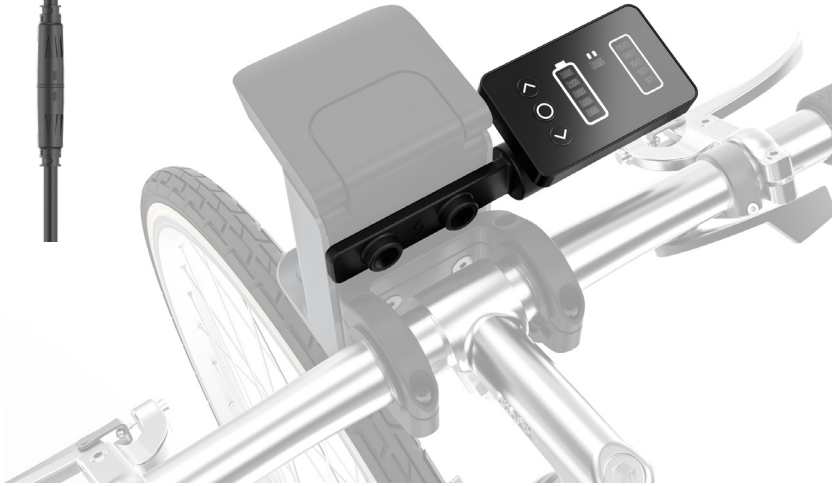
**Note**

Tighten to 2-3 Nm of torque. Visit [swytchbike.com/manual/3nm/](http://swytchbike.com/manual/3nm/) for support.



## 7. Fit your display or accessories

- 7.1 Screw and attach the display, then connect its cables to those coming from the mount.




### **Why not upgrade?**

Upgrade to the OLED or LED display and fit a thumb throttle to the display arm.

<https://shop.swytchbike.com/>



 swytch